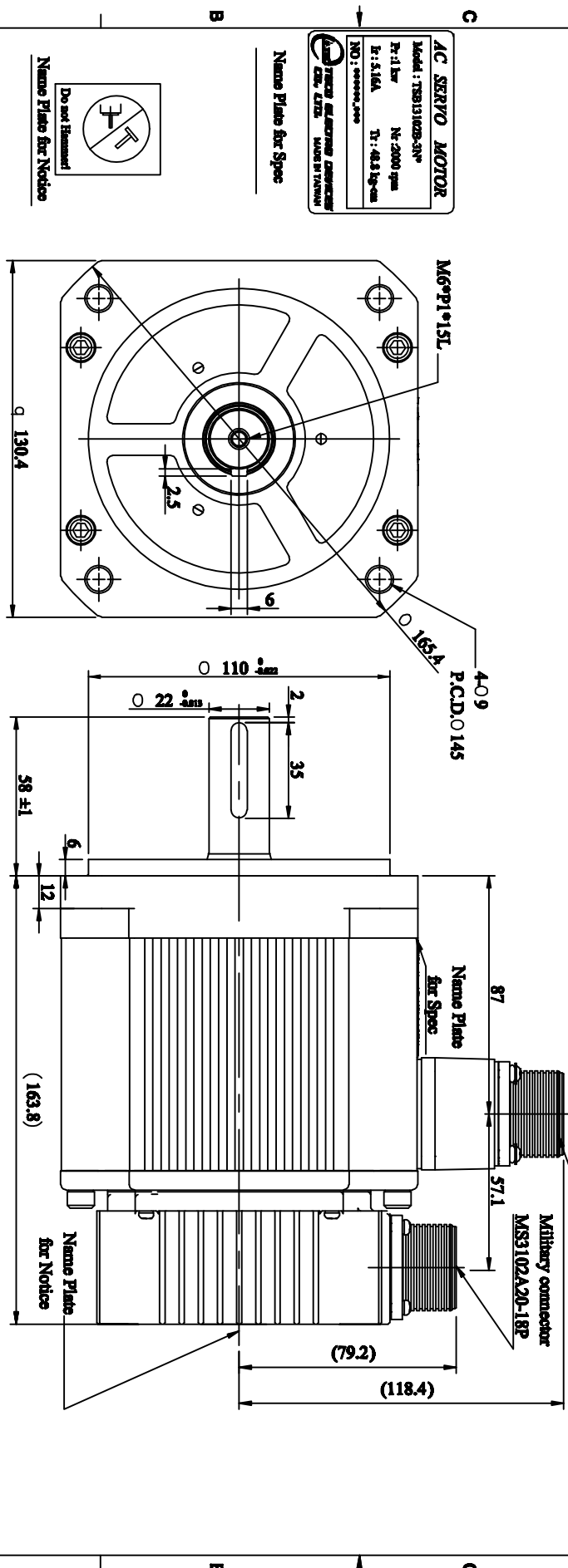


Model: TSB13102B-3N*

No.	Item	Symbol	Unit	Specification	No.	Item	Symbol	Unit	Specification
1	Drive	-	-	220 AC	13	Rotor Inertia	J-M	kg-cm ²	6.26 ±10% ⁶
2	Cooling Method	-	-	Totally Enclosed	14	Rated Power Rate	Q-R	Kw/s	35.9
3	Exciting Method	-	-	Permanent Magnet	15	Resistance	Ra	Ω	1.22±10%/2.φ
4	Resolution	-	-	NOT F2.	16	Inductance	L	mH	6.7±10%/2.φ
5	Rated Output	P-R	W	IKW	17	Mech. Time Constant	Tm	ms	1.09±10%
6	Rated Torque	T-R	Nm	4.782	18	Elect. Time Constant	Te	ms	5.5±10%
7	Max. Torque	T-max	Nm	14.527	19	Insulation Class	T	°C	0-40
8	Rated Speed	N-R	rpm	2000	20	Operation Temp.	RH	%	<90
9	Rated Current	I-R	A	5.16	21	Operation Humid.	RH	%	<90
10	Max. Current	I-max	A	15.5	22	Storage Temp.	T	°C	-20--60*
11	Torque Constant	Kt	Nm/A	1.019±10%	23	Storage Humid.	RH	%	<90
12	Back emf (at 1800rpm)	Vemf	Volts	111±10%	24	Weight	W	kgw	6.47

Notes:
1. Motor to be IP67
(excluding the shaft opening & connectors)
2. Encoder TYPE: 2500ppr, 8192ppr
17bit, 15bit



STANDARD TOLERANCE		APVD	SCALE	1/2	UNIT	m m	NAME	Servo Motor Outline Drawing	
X	±0.5	CHD	3RD AP	UNIT	m m	TITLE	TSB13102B-3N*		
XX	±0.05	CHD	S.J.T.h	DATE	05-11-10	DTSB13102B3N*			
ANGLE	±30°	DWN	SIGNATURE	DATE					
MATERIAL			REV/DESCRIPTION	SIGNATURE	DATE				